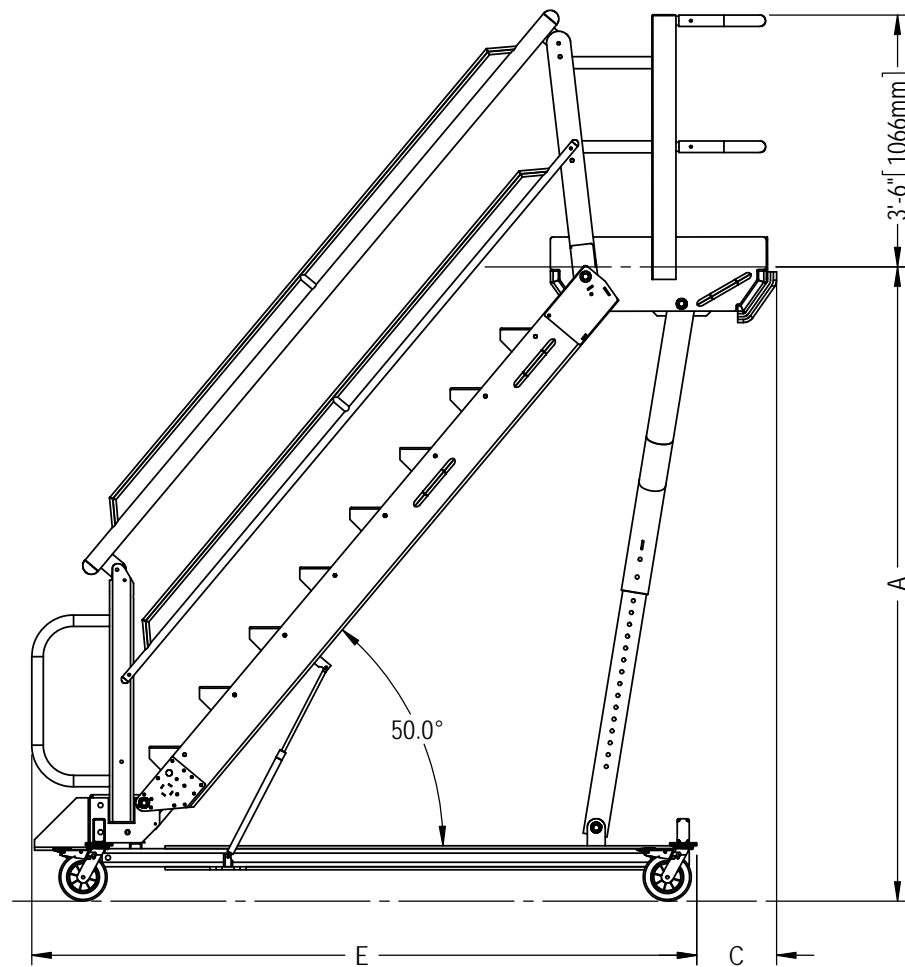
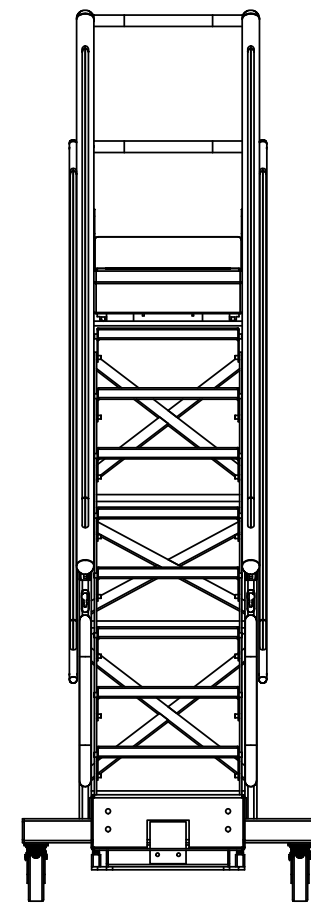
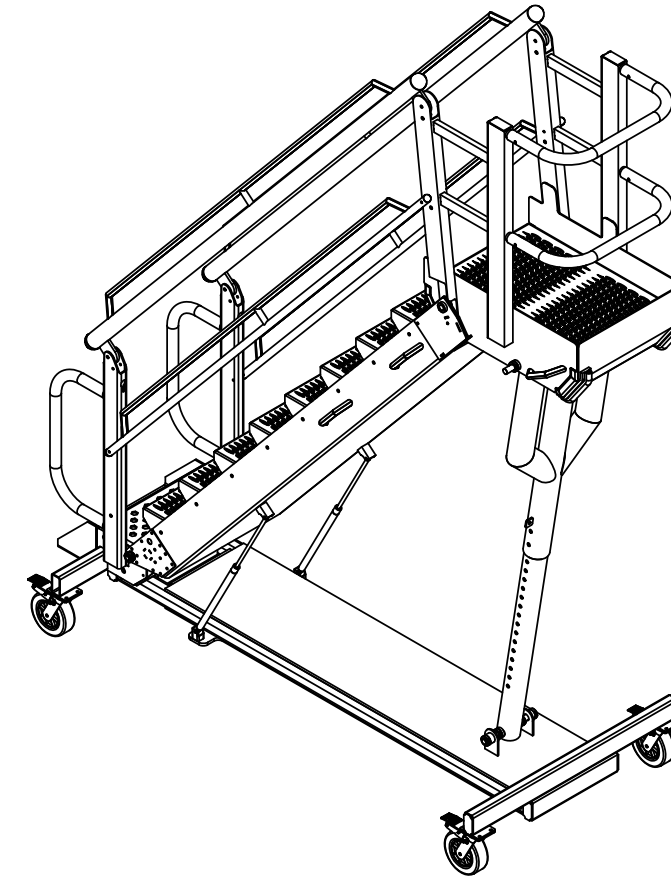
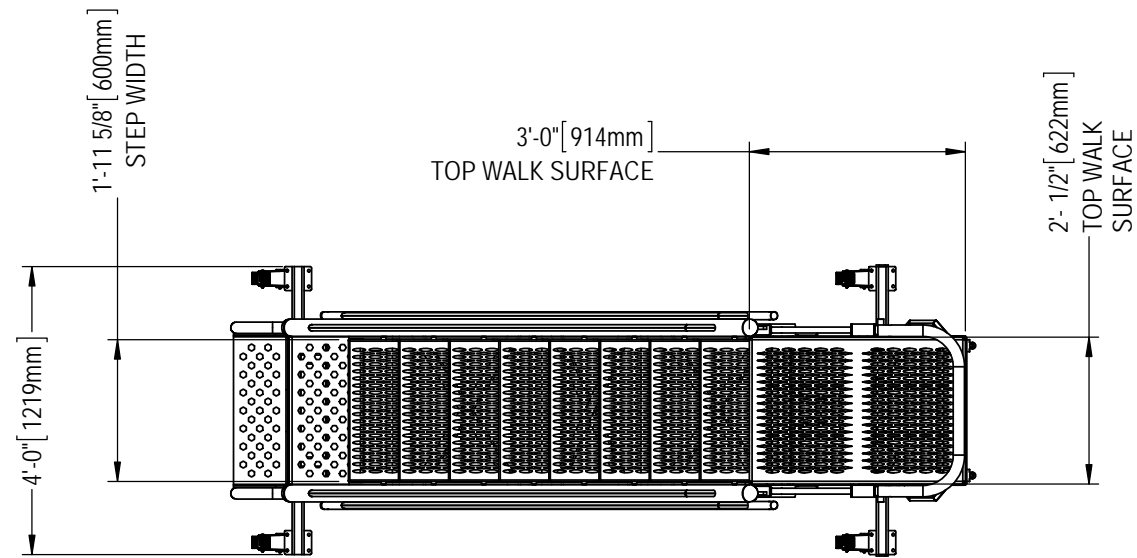
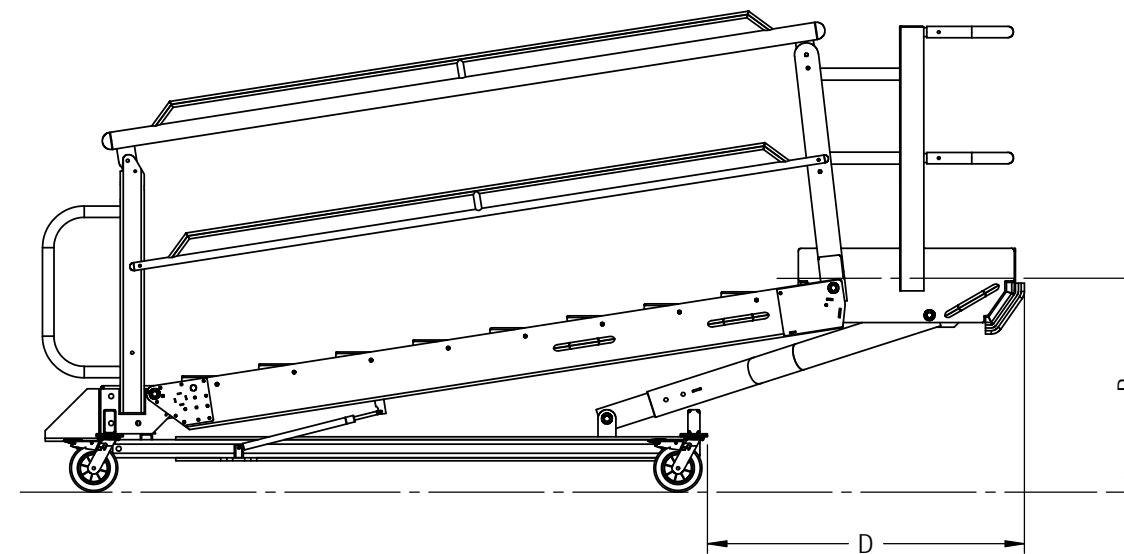


ROLLASTEP G-SERIES						
	A	B	C	D	E	EST. WEIGHT
G7	75 7/8" (1927mm)	30" (762mm)	13 3/8" (339mm)	39 3/8" (1000mm)	85 11/16" (2176mm)	1239 lbs
G8	85 13/16" (2179mm)	31 3/4" (806mm)	13 3/8" (339mm)	43 7/8" (1114mm)	94 1/16" (2389mm)	1327 lbs
G9	95 3/4" (2432mm)	33 7/8" (860mm)	13 3/8" (339mm)	48 5/16" (1228mm)	102 7/16" (2602mm)	1467 lbs
G10	105 3/4" (2686mm)	35 11/16" (906mm)	13 3/8" (339mm)	52 13/16" (1342mm)	110 13/16" (2815mm)	1604 lbs



**SPACEPAC**  
SOLUTIONS

PO Box 1468 Auburn St. Wollongong NSW 2500  
 Phone: 1300 763 444 Fax: +61 2 4226 2208  
 Email: sales@spacepac.com.au ABN 98 002 454 462  
 WWW.SPACEPAC.COM.AU



ALL INFORMATION CONTAINED HEREIN IS CONFIDENTIAL & PROPRIETARY. ANY DISCLOSURE WITHOUT THE WRITTEN CONSENT OF ROLLASTEP		PART NAME: G-Series MODEL BY: DATE: DRAWN BY: DATE: CHECKED BY: DATE: PROGRAMMED BY: DATE: PROGRAMMED/CHECKED BY: DATE:		FINISH: F-Brush SHEET SCALE: 1:32 SHEET: 1	
		CUSTOMER: Job# ABAS #		ROLLASTEP G-SERIES SPCE SHEET	
		MATERIAL THICKNESS OF THICK PART JOINTS (inch)		Minimum Plate Size - S (inch)	
		To 1/4"		1/8"	
Over 1/4" to 1/2"		3/16"		1/4"	
Over 1/2" to 3/4"		1/4"		5/16"	
Over 3/4"		5/16"			
10/10/12 DATE		1 REV		TK BY	
1 BATCH		1 CREATED SPEC SHEET		DESCRIPTION	